

GIGASENSE **LL-Link** with Instrument



The PIAB LL Link is designed to measure forces and weights in an aggressive environment and conforms to the International Protection Specification Class IP 67 acc. to IEC 529.

Range of Application

The PIAB LL Link is designed to measure tension forces and weights. It is made to withstand extreme environmental conditions and conforms to the International Protection Specification Class

IP 67 (dust-proof and water pressure tight) acc. to IEC 529. For a very aggressive environment polyester lacquering is recommended.

Function

The tension force affecting the PIAB LL Link is measured by means of strain gauges. Four strain gauges are connected in a Wheatstone bridge and fed with a stabilized voltage. The signal output from the bridge is proportional to the force on the PIAB LL Link. The signal is amplified, converted and the force (weight) is shown on the digital display (LCD) of the

PIAB Remote Read-Out Instrument. The PIAB Remote Read-Out Instrument and the PIAB LL Link are operated by a built in 9V battery. An extension cable can be connected between the Link and Instrument.



DIMENSIONS OF TRANSPORT CASE

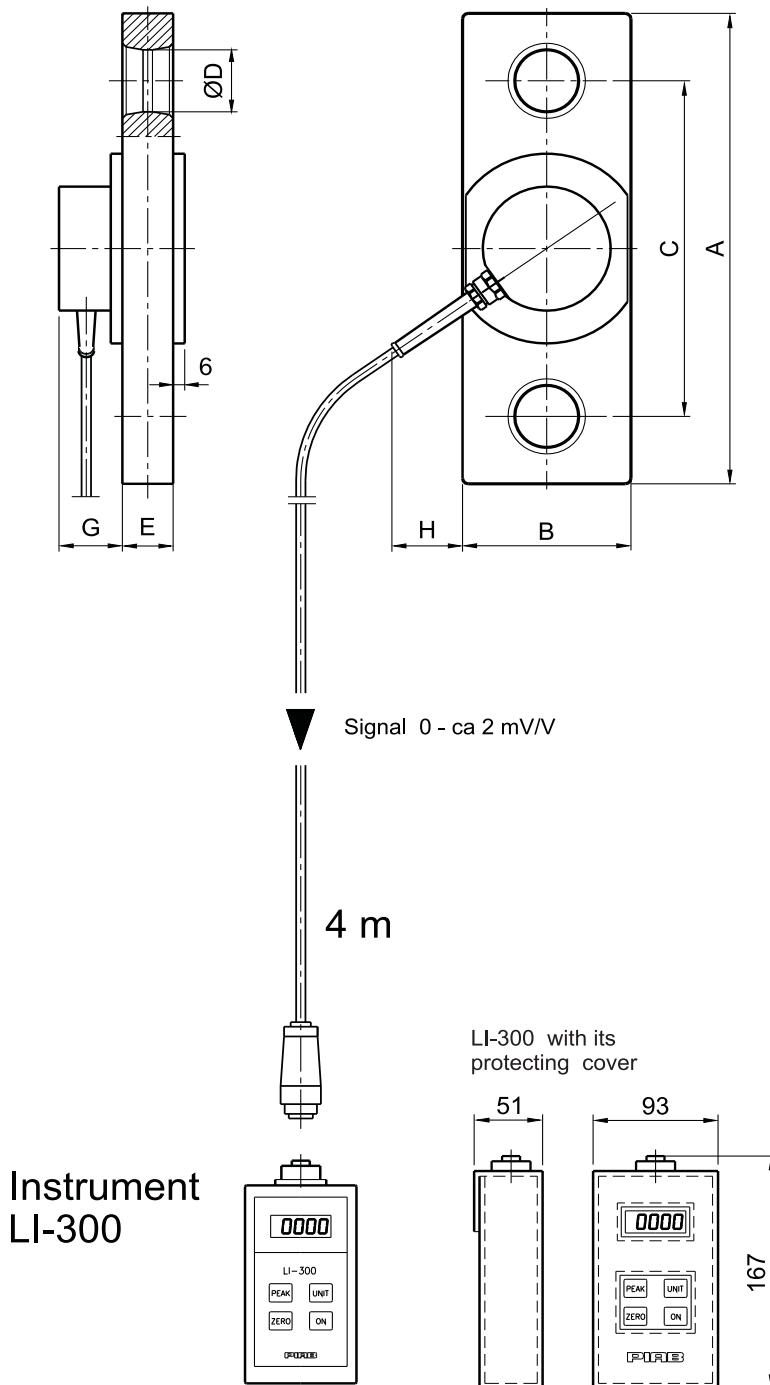
DIMENSIONS IN INCHES AND (MM)

4400 lb., 6600 lb.,
11000 lb. & 22000 lb.
(2, 3, 5 & 10 ton):
14.61/64x9.1/4x5.1/2"
(380x230x140 mm)
44000 lb. (20 ton):
18.1/2x9.54/64x5.1/2"
(470x250x140 mm)
110000 lb. (50 ton):
24.1/64x11.27/64x5.1/2"
(610x290x140mm)
165000 lb. (75 ton):
24.38/64x11.27/64x5.1/2"
(650x290x140mm)



The Link and Instrument are delivered in a tough transport case with space provided for a 33 ft.(10 m)extension cable.

Load Link type: LL (Load Cell)



Instrument
LI-300

ART.NO.	TYPE	CAPACITY LB. (TON)	RESOLUTION LI300 LB.(KG)	WEIGHT LB. (KG)	DIMENSIONS IN INCHES AND (MM)							
					A	B	C	D	E	F	G	H
302332	LL-2	0-440 0 (0-2)	2 (1)	5.7 (2.6)	8.1/8 (205)	2.46/64 (69.3)	5.58/64 (150)	1.1/64 (26)	25/32 (20)	15/64 (6)	1.7/32 (31)	2.43/64 (68)
302337	LL-3	0-6600 (0-3)	2 (2)	5.9 (2.7)	8.1/8 (205)	2.54/64 (72.4)	5.58/64 (150)	1.1/64 (26)	25/32 (20)	15/64 (6)	1.7/32 (31)	2.43/64 (67)
302342	LL-5	0-11000 (0-5)	5 (2)	11,1 (5.0)	10.10/64 (258)	3.34/64 (89.6)	7.15/64 (184)	1.22/64 (34)	1.1/16 (27)	15/64 (6)	1.11/32 (34)	2.9/32 (58)
302347	LL-10	0-22000 (0-10)	10 (5)	15,6 (7.1)	11.52/64 (300)	3.49/64 (96)	8.1/32 (204)	1.52/64 (46)	1.3/8 (35)	15/64 (6)	1.11/32 (34)	2.13/64 (56)
302352	LL-20	0-44000 (0-20)	20 (10)	42,7 (19.4)	16.35/64 (420)	5.51/64 (147)	11.27/64 (290)	2.23/64 (60)	1.27/32 (47)	15/64 (6)	1.27/64 (36)	2 (50)
302362	LL-50	0-50) 0-110000	50 (20)	66,0 (30.0)	21.17/64 (540)	7.23/64 (187)	13.50/64 (350)	3.47/64 (95)	1.27/32 (47)	15/64 (6)	1.27/64 (36)	1.3/16 (30)
302377	LL-75	0-75) 0-165000	100 (50)	110,0 (50.0)	22.2/64 (560)	7.23/64 (187)	13.50/64 (350)	3.47/64 (95)	3.1/32 (77)	15/64 (6)	1.27/64 (36)	1.3/16 (30)

Technical Data

LL LINK

ACCURACY

± 0.15 % of the max. capacity.

MATERIAL

High-tensile steel, zinc coated and v
chromated. Extra: polyester lacquer

INTERNATIONAL PROTECTION SPECIFICATION CLASS

IP 67 acc. to IEC 529.

TEMPERATURE RANGE

+4°F-+158°F (-20°C - +70°C).

OVERLOAD

50 % without affecting the accuracy

SAFETY FACTOR

5:1.

CABLE

Screened, 13 ft. (4 m) length as a st
dard.

EXTENSION CABLE

Optional; complete with connection
17 ft. (5 m) or 33 ft. (10 m) lengths.

INSTRUMENT LI 300

GRADUATION

ton and kN, or ton and lb.

DISPLAY

LCD, 0-19999,
height of figures 12 mm.

TEMPERATURE RANGE

+4°F-+158°F (-20°C - +70°C).

TAREING

0-100%.

CAPACITY/RESOLUTION

LL 2, 2 lb. (1 kg)
LL 3, 2 lb. (2 kg)
LL 5, 5 lb. (2 kg)
LL 10, 10 lb. (5 kg)
LL 20, 10 lb. (10 kg)
LL 50, 50 lb. (20 kg)
LL 75, 100 lb. (50 kg)

BATTERY

9 V (6LR61), alkaline or lithium.

OPERATING TIME

Approx. 50 hours with a lithium
battery.

INTERNATIONAL PROTECTION SPECIFICATION CLASS

IP 65. ABS plastic with case.

CONNECTION

7-pin plug for transducer cable.

POWER CONSUMPTION

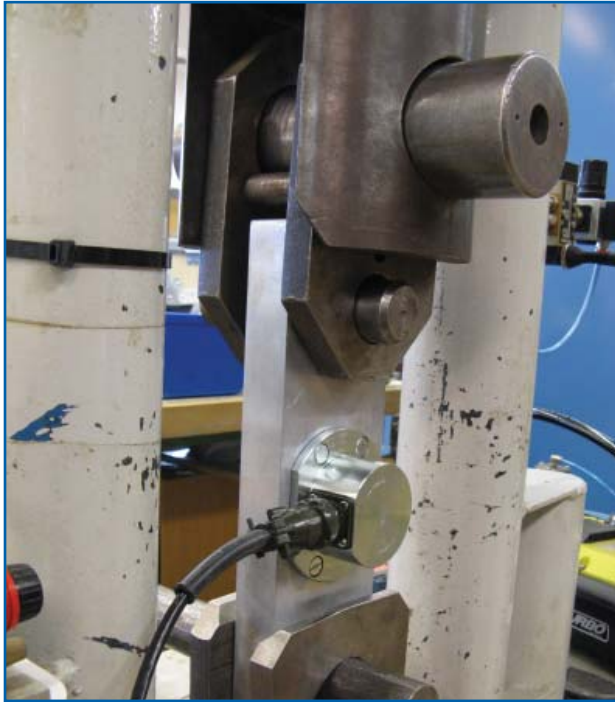
21 mA.

MISCELLANEOUS

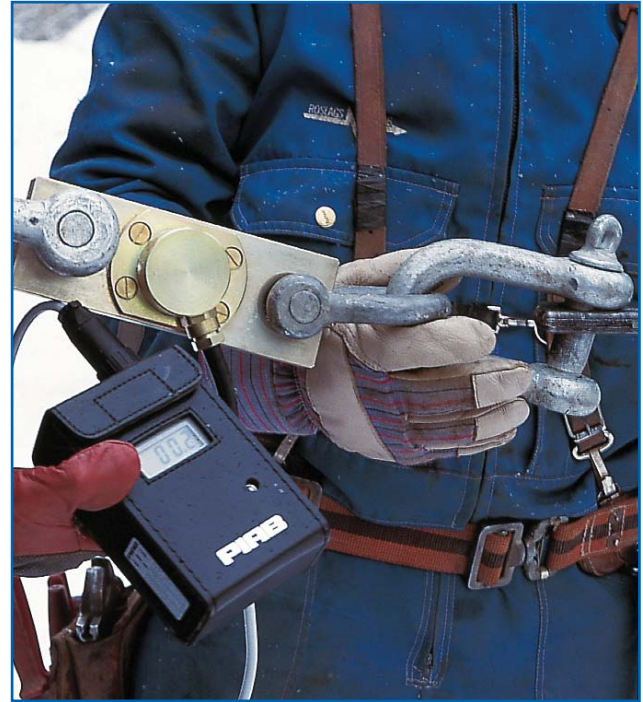
Peak hold. A 6-wire system with sen
compensates for voltage drop over
cable lengths between transducer a
instrument.

The displayed value is not affected b
the cable length. Weight: approx. 0.5
(0.25 kg) without case.

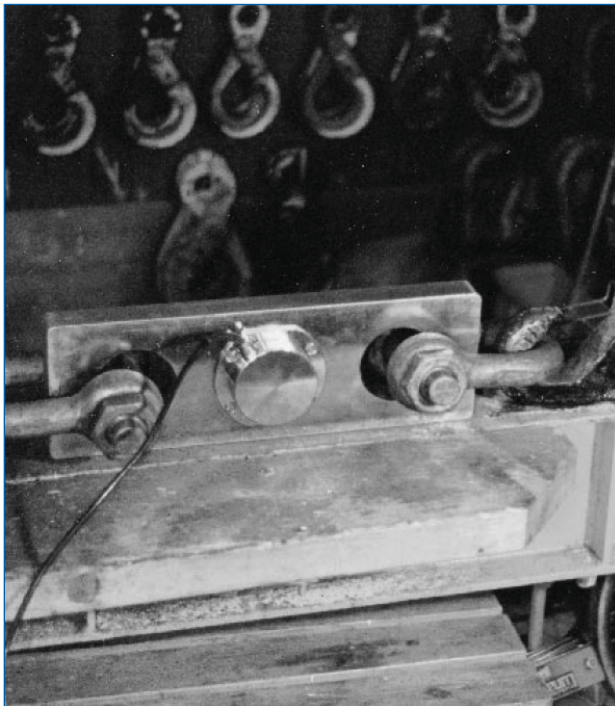
Examples of the LL Link in Use



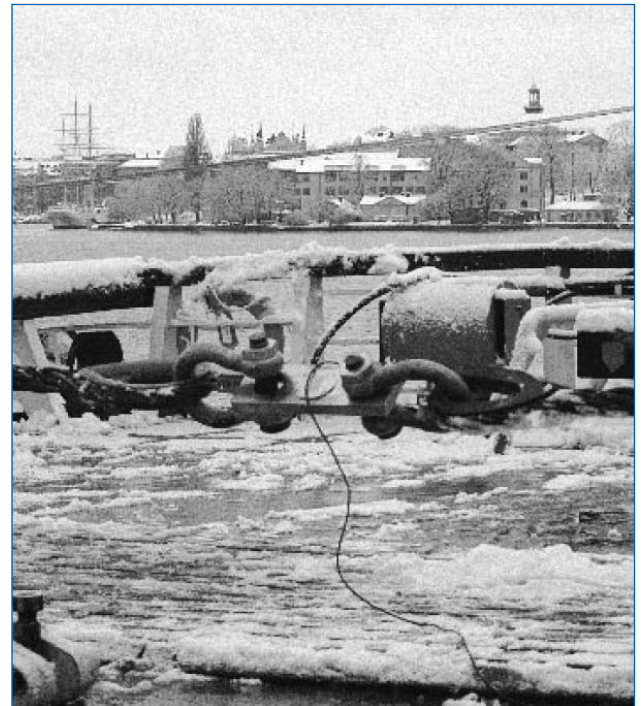
Testing the PIAB LL Link.



Here the PIAB LL Link and PIAB Instrument are used when weighing engine parts.



Check-up on lifting tools.



Test of towing winch at an ice-breaker.

9418-1_131024



GIGASENSE AB • Stationsvägen 16
SE - 18450 Åkersberga • SWEDEN
Phone: +46 (0)8 540 839 00
e-mail: info@gigasense.se • webb: www.gigasense.se

