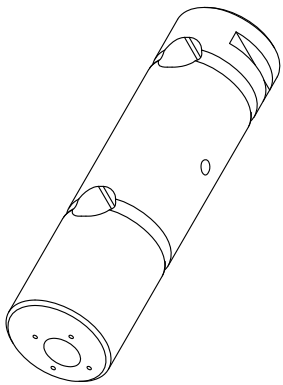


# SLC - LOAD PIN

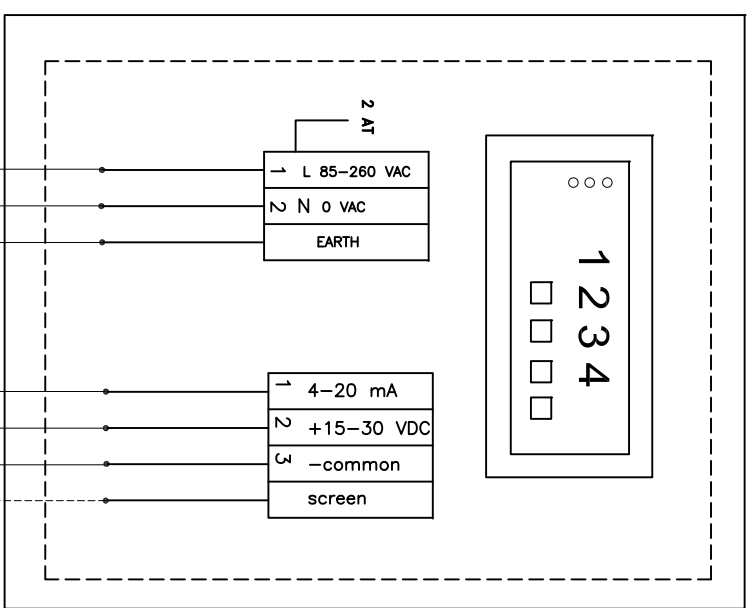
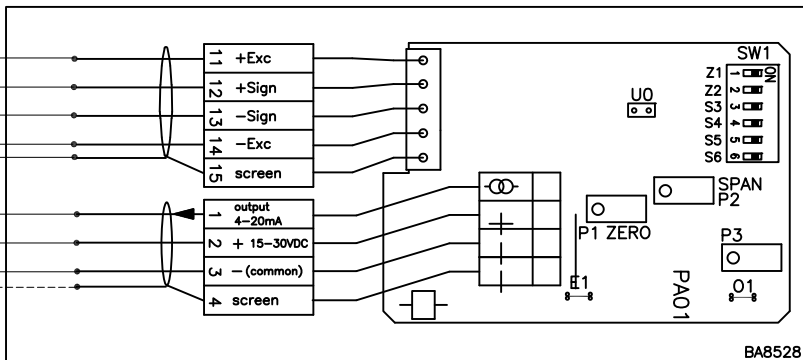
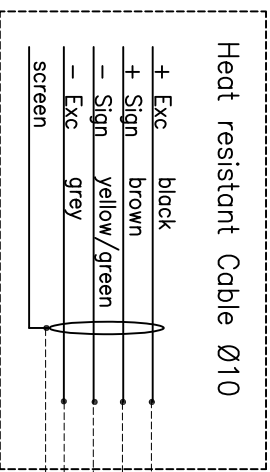
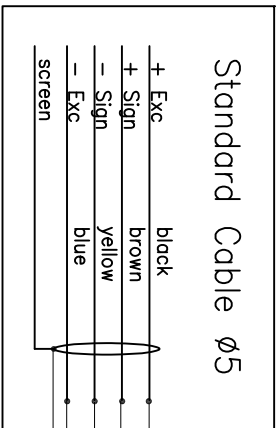
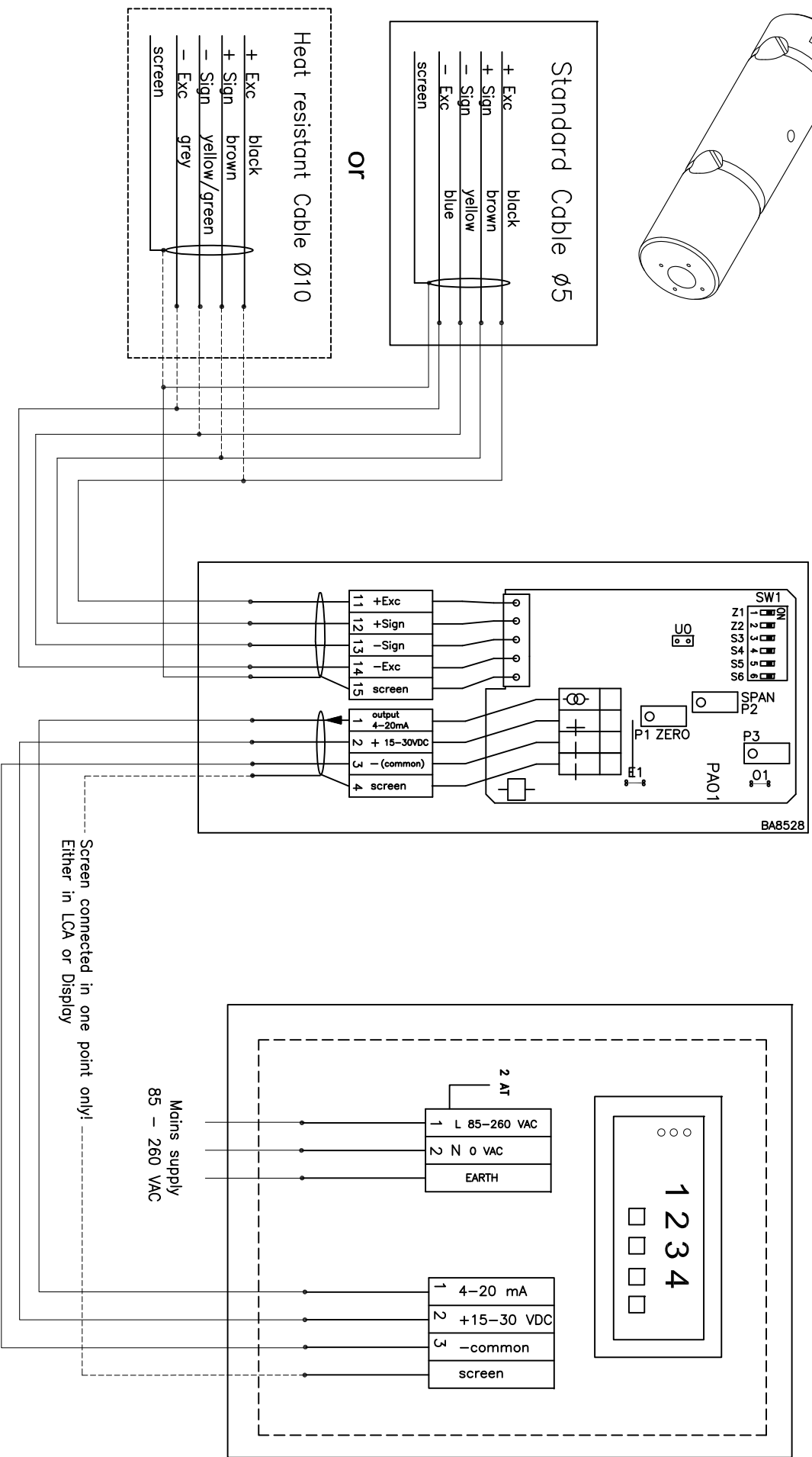


# LOAD CELL AMPLIFIER

# LCA

# DISPLAY

301266



Screen connected in one point only!  
Either in LCA or Display

Gigasense AB info@gigasense.se www.gigasense.se	Phone: +46 (0)8 540 839 00	Projection method	Scale	Date	170810	Drawn by SD	Checked by	Approved by
---	----------------------------	-------------------	-------	------	--------	-------------	------------	-------------



301266 - LCA - SLC  
Connection diagram

Drawing No. BA92248\_EN

Revision approved	Rev.Date
-------------------	----------