



Gigasense Automatic Hook Type Big-C



Automatically hooks up, safety locks and releases.

The risk for injury is dramatically reduced.

No climbing or helpers injured or squeezed by the load in the dangerous loading or drop zone.

GIGASENSE

Gigasense products within Force Measurement and Crane Safety are well known high quality products, built from many years' experience and used by leading heavy duty industry around the world.

Gigasense products meet the highest demands of performance level requirements.

We are represented by many selected local partners in more than 30 countries on six continents.

New Concept Saves Time and Increases Safety



Lifting operations with mobile cranes and industrial hoists can safely be managed by the operator alone. He can remain at the controls during lifting and release operation.

The Automatic Hook Big-C is available in 3 sizes; 2,5 ton, 6,5 ton and 15 ton. It is easy to operate, has rugged design and a high reliability.

HOOK UP

Lifting eye. Do not use sling or rope.

The Automatic Hook consists of hook, housing and link. Forged hook, housing and link are of high-grade alloy steel. Unloaded, the spring loaded hook is pulled up against the housing in an open, ready-to-load position where it can easily be hooked onto a lifting eye or other attached hardware.



LIFT

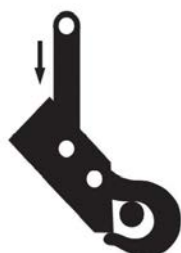
When the hook is engaged, the load tension automatically safety locks the hook and housing assembly.

When the Automatic Hook is engaged, the load tension closes the hook opening, and the safety latch is automatically locked.

LOWER

After completed lifting operation the hook is lowered until it tilts into release position and opens.

The hook remains safety locked even if it is unloaded. It is therefore possible to safely set down the load and make adjustments.



RELEASE

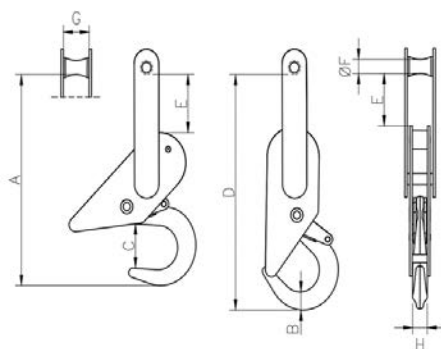
The hook automatically frees itself from the load and is ready for the next lifting operation. Do not force it open with any tools!

To release the safety lock after completed lifting operation, the hook is lowered until the upper link has tilted approx. 60° in relation to the housing. When the lock is released, the hook swings up into an open starting position.

APPLICATIONS

Blasting mats, pipes, pumps, machines, gas bottles, big bags and general lifting.

The load is released, and the hook is ready for a new lifting operation. The Automatic Hook is tested and approved by the Swedish Institute for Materials Testing.



WILL	WORKING LOAD LIMIT TON		DIMENSIONS MM							
	SAFETY FACTOR		A	B	C	D	E	F	G	H
	4:1	5:1								
2,5	2,5	2	302	30	62	338	81/73*	20	42	19
6,5	6,5	5,2	463	39	88	500	123/100*	36	76	32
15	15	12	528	59	113	618	113/146*	54	76	58

* First measurement is open, second measurement is closed.